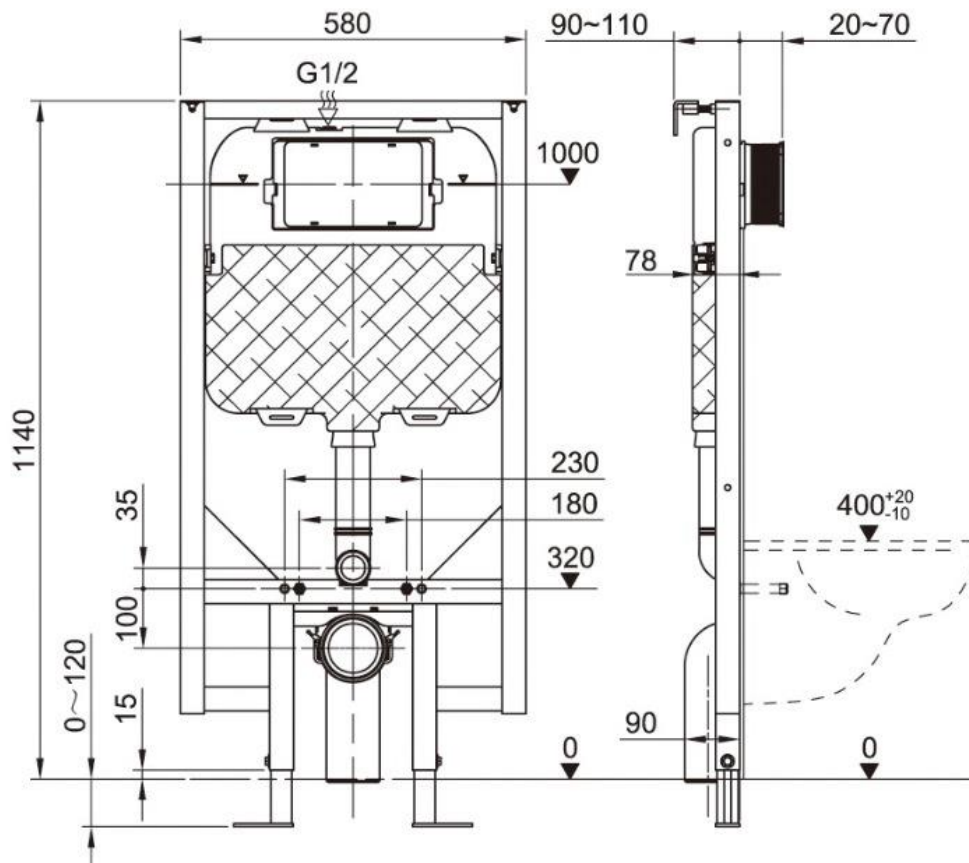




### FEATURES

- 4 star WELS rating
- Front actuation
- For wall-hung WC with fastening distance 180mm or 230mm
- For installation within 90mm stud wall or engineered equivalent. Load capacity of up to 400kg on studs to be accommodated to comply with Australian standards.
- Galvanized leg supports adj. 0-120mm
- Water supply connection at the top PVC discharge bend - 90mm



meco international pty ltd.

meco.com.au

for all sales & product inquiries email [sales@meco.com.au](mailto:sales@meco.com.au) or call (02) 9618 6999

\*all measurements are subject to accepted manufacturing tolerances. please check actual product dimensions prior to installation. meco international pty ltd reserves the right to change specifications at any time without giving prior notification.